

## LUG TYPE BUTTERFLY VALVE

### SPECIFICATION

FOR ANSI CLASS B16.1 FLANGE MOUNTING  
FACE-TO-FACE DIMENSION TO ISO 5752 / BS 5155 / BS EN 593  
LEVER / WORM GEAR OPERATOR

### PRESSURE / TEMPERATURE RATINGS

Working Pressure	200 psi
Testing Pressure	Shell: 1.5 times Seat: 1.1 times
Working Temperature	-4°F to 230°F (EPDM Seat) 14°F to 176°F (NBR Seat) 41°F to 248°F (PTFE seat) 14°F to 275°F (VITON seat)
Suitable Media	Water & Oil

### MATERIALS

Part	Material	ASTM *
Body	Stainless Steel 304 Stainless Steel 316	A351 CF8 A351 CF8M
Disc	Stainless Steel 304 Stainless Steel 316	A351 CF8 A351 CF8M
Seat Ring	EPDM NBR PTFE VITON	
Shaft	Stainless Steel 420 Stainless Steel 431	A276-420 A276-431
O-Ring	NBR	
Bushing	Resin	

\*: Indicates the corresponding equivalent standard material for ASTM.

### DIMENSIONS

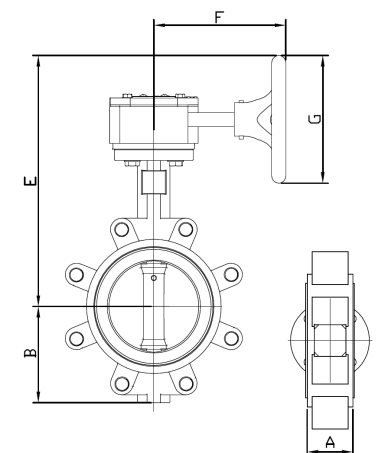
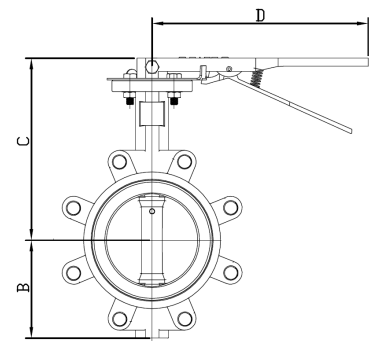
Unit: inch

Size	A	B	C	D	E	F	G
2	1.7	2.8	6.2	9.8	9.4	5.9	5.7
2 ½	1.8	3.0	6.6	9.8	9.8	5.9	5.7
3	1.8	3.7	6.8	9.8	10.0	5.9	5.7
4	2	4.2	8.2	9.8	11.4	5.9	5.7
5	2.2	4.8	8.6	9.8	11.8	5.9	5.7
6	2.2	5.5	9.8	9.8	12.9	5.9	5.7
8	2.4	6.6	10.8	14.8	16.7	8.1	11.0
10	2.7	8.0	12.7	14.8	18.5	8.1	11.0
12	3.1	9.4	13.7	14.8	19.5	8.1	11.0
14	3.1	10.6	-	-	22.0	8.1	11.0

## SBFV-LA

### Class 125

2"~14"



## LUG TYPE BUTTERFLY VALVE

### SPECIFICATION

FOR ANSI CLASS B16.1 FLANGE MOUNTING  
FACE-TO-FACE DIMENSION TO ISO 5752 / BS 5155 / BS EN 593  
DOUBLE-STAGE WORM GEAR OPERATOR

### PRESSURE / TEMPERATURE RATINGS

Working Pressure	200 psi
Testing Pressure	Shell: 1.5 times Seat: 1.1 times
Working Temperature	-4°F to 230°F (EPDM Seat) 14°F to 176°F (NBR Seat) 41°F to 248°F (PTFE seat) 14°F to 275°F (VITON seat)
Suitable Media	Water & Oil

### DIMENSIONS

Unit: inch

Size	A	B	E	F	G
16	4.0	12.1	26.6	9.9	11.0
18	4.5	13.2	27.6	9.9	11.0
20	5.0	14.7	28.9	9.9	11.0
24	6.1	16.9	34.5	11.8	15.1

Note:

1. Actuator mounting flange conforms to ISO 5211 drilling.
2. The butterfly valve can be supplied with electric actuator.
3. Micro switch / limit switch box are available upon request.
4. Others flange standard available upon request.
5. Design and specifications are subject to change without prior notice

## SBFV-LA

Class 125

16"~24"

